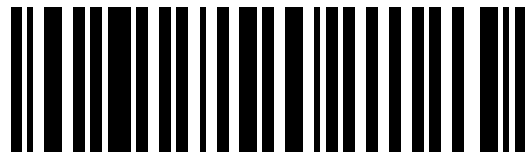


MCZ

EN

USE AND INSTALLATION MANUAL

KASAI NATURAL/AIR/COMFORT AIR



8901141800

INTRODUCTION	4
Document revisions	4
Manual care	4
How to consult the manual.....	4
1. WARNINGS AND GUARANTEE TERMS.....	5
1.1. GENERAL SAFETY WARNINGS.....	5
1.2. OPERATIONAL WARNINGS	5
1.3. GUARANTEE TERMS.....	6
1.3.1. Guarantee limits.....	6
1.3.2. Exclusions.....	6
1.4. IMPORTANT INFORMATION FOR CORRECT DISPOSAL OF THE PRODUCT IN ACCORDANCE WITH EC DIRECTIVE 2002/96/EC.....	6
2. INSTALLATION RECOMMENDATIONS IN COMPLIANCE WITH UNI 10683	7
2.1. THE OPERATING ENVIRONMENT	7
2.2. POSITIONING.....	8
2.2.1. Safe distances.....	8
2.3. CONNECTING THE COMBUSTION AIR INLET PIPE	9
2.4. EXTERNAL AIR INLET.....	9
2.5. FLUE PIPE CONNECTION.....	11
2.6. CONNECTING THE STOVE TO THE FLUE PIPE.....	11
2.7. AIR HUMIDIFIER (accessory).....	12
2.8. FLUE PIPE.....	12
2.8.1. Flue pipe examples.....	13
2.9. CHIMNEY	14
3. DIMENSIONS AND TECHNICAL SPECIFICATIONS.....	15
3.1. KASAI STOVE	15
3.1.1. Technical specifications.....	16
4. INSTALLATION AND ASSEMBLY	17
4.1. PREPARATION AND UNPACKING.....	17
4.2. FOOT ASSEMBLY AND ADJUSTMENT	18
4.3. SIDE CLADDING ASSEMBLY.....	18
5. OPERATION.....	22
5.1. WARNINGS PRIOR TO START-UP.....	22
5.2. FUEL.....	22
5.3. USING THE STOVE	23
5.3.1. FUEL LOADING	23
5.3.2. COMBUSTION CONTROL.....	23
5.3.3. FIRST START-UP.....	25
5.4. AIR DIFFUSION SYSTEMS	27
5.4.1. Natural.....	27
5.4.2. Air (optional kit).....	27
5.4.3. Comfort Air (optional kit)	27
6. MAINTENANCE AND CLEANING	28
6.1. CLEANING UNDER THE USER'S RESPONSIBILITY	28
6.1.1. Cleaning the glazing	28
6.1.2. Cleaning the upper Calorite deflectors	28
6.1.3. Ash removal.....	28
6.1.4. Cleaning stainless and matt steel surfaces.....	28
6.1.5. Cleaning painted parts.....	29
6.1.6. Cleaning the flue pipe.....	29
6.2. CLEANING UNDER THE RESPONSIBILITY OF SPECIALISED STAFF	29



6.3. QUICK RESPONSE.....29

INTRODUCTION

Dear customer,

Thank you for purchasing this MCZ appliance. We are convinced that, as you operate it, you will appreciate the high quality of this appliance, which is the result of painstaking design and thorough testing. Our aim is to combine technology with simple use and, first and foremost, safety.

Products built with OYSTER technology, where appropriately installed, due to their fully watertight structure, do not draw on the oxygen inside the room. Instead, they draw air from the outside environment and can therefore be fitted in all well-insulated homes and in passive houses. This technology eliminates all risk of smoke being released into the room and ventilation grilles are no longer required. Consequently, there will be no more flows of cold air into the room, making it less comfortable and compromising the overall efficiency of the system.

In the case of forced ventilation or rooms that may be in a negative vacuum compared to the outside, a sealed stove can be installed.

To allow optimal operation of the stove and to benefit fully from the heat and sense of well-being distributed throughout your home, we advise you to read this manual carefully before starting it up for the first time; in the event of faults or if in doubt, please contact your retailer, who will provide all the necessary assistance.

Document revisions

In order to improve the product and to update this document, the Manufacturer reserves the right to make any changes without notice.

All reproduction, including partial, of this manual is strictly prohibited without the Manufacturer's authorisation.

Manual care

- Take care of this manual and keep it in an easily and rapidly accessible place.
- Should you misplace or destroy the manual or should it be damaged irreparably, ask your retailer or the Manufacturer for another copy, specifying the product identification data.

How to consult the manual

- Any vital topics or those requiring special attention are printed in **“bold text”**.
- *“Italic text”* is used to invite the user to observe the explanatory figures beside it or to check other sections in the manual which may provide an additional explanation.
- **NOTE:** the “NOTE” provides the reader with additional information about the topic.

These symbols indicate specific messages found in this manual

	<p>CAUTION!</p> <p>This warning symbol indicates you should read carefully and understand the message it refers to since failure to observe the instructions given could damage the stove seriously and also endanger the person using it.</p>
	<p>INFORMATION:</p> <p>This symbol is used to highlight the information that is deemed important for the correct functioning of the stove. Failure to observe the instructions provided will jeopardise the use of the appliance, the functioning of which may prove unsatisfactory</p>

1. WARNINGS AND GUARANTEE TERMS

1.1. GENERAL SAFETY WARNINGS

- **Installation, electrical connection, functional check and maintenance of this device must only be performed by qualified or authorised personnel.**
- **Install the stove in accordance with all the local and national laws, and the applicable European Standards in force in the place, region or country of installation.**
- **This appliance must not be used by anyone (including children) with limited physical, sensory or mental skills or with little experience and knowledge, unless they are supervised or have been instructed to use the device by the person in charge of its safety.**
- **Only use the fuel recommended by MCZ. The appliance must not be used as an incinerator. The use of liquid fuel is strictly forbidden.**
- The instructions provided in this manual must always be observed to ensure the correct use of this stove and of any appliances connected to it as well as to avoid any accidents.
- The user - or whoever is operating the stove - must read and fully understand the contents of this instruction manual before beginning any operation.
- The stove must only be used for its intended use. Any other use is to be considered incorrect and therefore dangerous.
- Do not use the stove as a ladder or supporting structure.
- Do not place laundry in the stove to dry; any clothes airers or similar items should be kept at a safe distance from the stove. Fire hazard.
- Assess the static conditions of the surface on which the weight of the stove will bear and provide suitable insulation if it is made of flammable material (e.g. wood, fitted carpet, plastic).
- Avoid installing the appliance in rooms containing type B gas appliances, or hoods with or without an extractor fan, heat pumps, or collective ventilation ducts (If Oyster technology is not implemented).
- Avoid having several operational flue ducts in the room, or the proximity of a stair well and make sure that there are no appliances in adjacent

communicating rooms, the concurrent use of which causes a vacuum in one of the two rooms.

- All liability for the incorrect use of the product lies fully with the user and relieves MCZ of any civil and criminal liability.
- All unauthorised tampering or replacement with non-original stove spare parts could endanger the operator and relieves MCZ of any civil and criminal liability.
- Parts of the surface of the stove can get very hot (door, handle, glass, smoke outlet pipe, etc.). Please therefore avoid coming into contact with these parts without wearing suitable protective clothing or using appropriate measures, such as heat protective gloves.
- Incorrect installation or poor maintenance (not conforming to the instructions provided herein) could cause personal injury or harm animals or cause property damage. In this case, MCZ is relieved of any civil and criminal liability.

1.2. OPERATIONAL WARNINGS

- **Use the appliance in accordance with all the local and national laws, and the applicable European Standards in force in the place, region or country of use.**
- Turn off the stove in the event of a failure or malfunctioning.
- Install the stove in premises which are suitably protected against fire hazards and equipped with all the utilities such as supplies (air and electricity) and smoke exhaust.
- Do not use volatile and/or flammable substances (petrol-alcohol-etc.) to ignite the fire.

INFORMATION:

- Please contact your retailer or MCZ's qualified authorised personnel for any issues, and in the event of repairs, demand original spare parts.
- Check and clean the smoke outlet pipe regularly in accordance with the provisions of the applicable regulations in the country of installation
- Keep this instruction manual in a safe place, as it should accompany the stove along its entire life cycle. If the stove is sold or transferred to another user, always ensure that the manual accompanies the appliance.

1.3. GUARANTEE TERMS

MCZ guarantees the product, **with the exception of parts subject to normal wear specified** below, for two years from the date of purchase, provided that proof of purchase is supplied in a document specifying the name of the retailer and the date the sale was made and that the completed guarantee certificate was sent within 8 days of said purchase. The product must also be installed and tested by a specialised fitter and in accordance with the detailed instructions provided in the instruction manual that accompanies the product.

The guarantee covers the replacement or free repair of parts recognised as being faulty at source due to manufacturing defects.

1.3.1. Guarantee limits

The guarantee does not cover parts subject to normal wear, such as: **seals, glazing, and all the removable parts of the combustion chamber.**

The parts replaced will be guaranteed for the remaining guarantee cover period starting from the original date of purchase of the product.



The glazing in particular is guaranteed until an authorised MCZ fitter certifies that it is perfectly intact at the time of completion of installation.

1.3.2. Exclusions

The guarantee does not cover all parts found to be faulty due to negligence or inappropriate use, incorrect maintenance, or installation not performed in compliance with MCZ's instructions (see relevant chapters in this use manual).

MCZ will not be held liable for any damage which may - either directly or indirectly - be caused to property, or personal injury or harm to animals ensuing from failure to observe all the instructions provided herein and specifically concerning the warnings regarding installation, use and maintenance of the device.

Please contact your retailer and/or local importer in the event of product failure.

Damage caused by transport and/or handling are not covered by the guarantee.

Reference must be made solely to the manual provided for product installation and use.

The guarantee is not valid for damage caused by tampering with the device, atmospheric agents, natural disasters, electrical discharges, fires, faults in the electrical and plumbing system and caused by failure to perform maintenance or by incorrect maintenance in compliance with the Manufacturer's instructions.



Service call

Service calls must be made to the retailer, who will forward the call to the MCZ technical support department.



MCZ cannot be held liable if the product and any of its accessories are used incorrectly or modified without authorisation.

Only original MCZ spare parts must be used for replacements.

1.4. IMPORTANT INFORMATION FOR CORRECT DISPOSAL OF THE PRODUCT IN ACCORDANCE WITH EC DIRECTIVE 2002/96/EC



At the end of its working life, the product must not be disposed of as urban waste.

It must be taken to a special local authority differentiated waste collection centre or to a dealer providing this service.

Disposing of a appliance separately avoids possible negative consequences for the environment and health deriving from inappropriate disposal and enables the constituent materials to be recovered to obtain significant savings in energy and resources.

As a reminder of the need to dispose of appliances separately, the product is marked with a crossed-out wheeled dustbin.

2. INSTALLATION RECOMMENDATIONS IN COMPLIANCE WITH UNI 10683

2.1. THE OPERATING ENVIRONMENT

For the correct functioning and an even distribution of heat, the stove should be positioned where the air required for combustion is accessible, in accordance with the installation instructions and the applicable standards in force in the country of installation.

The volume of the room should be no less than 60 m³.

The air should enter through permanent apertures made in the walls (near the stove) onto the outside with a minimum cross-section of 150 cm² (in the case of non-Oyster installation).

These apertures (air inlets) must be made in such a way as not to obstruct them in any way.

Air may also be taken from adjoining rooms to the one to be ventilated, provided they are equipped with an external air inlet and that they are not used as a bedroom or bathroom or where there is no fire hazard, such as: garages, timber storerooms, warehouses of flammable materials, observing under all circumstances the provisions of all the applicable standards in force.



- **If the floor is wood, lay the floor guard down, in compliance with the applicable standards in force in the country of installation.**
- **If the walls are not flammable, position the stove with a minimum rear clearance of at least 10 cm.**
- **Extreme proximity between the stove and the wall could cause overheating and damage the plaster (yellowing, cracking, etc.)**
- **Stove installation and assembly must be performed by qualified staff.**
- **The stove must be connected to a flue pipe or a vertical duct that can discharge the smoke at the highest point of the home.**
- **The stove must be connected to a flue pipe or internal or external vertical duct, in accordance with the applicable standards in force.**
- **The smoke does however result from combustion of wood essences, and may therefore soil walls if released in contact with or close to the latter.**
- **Before positioning the stove, drill the hole for the external air inlet (not in the case of installation with Oyster technology).**

2.2. POSITIONING

In the case of concurrent installation with other heating appliances, provide the appropriate air inlets for each one (according to the instructions for each appliance).



Installing the stove in a bedroom or bathroom is not permitted, nor in any room where another heating appliance is installed without an independent air inflow.

It is forbidden to position the stove in rooms with an explosive atmosphere.

The floor of the room where the stove is installed must be suitably sized to withstand its weight.

2.2.1. Safe distances

KASAI	Non-flammable walls *	Flammable walls *	
	A=15cm B=20cm	A=20cm B=30cm	

* Leave an appropriate distance from the walls in any case in order to allow easier appliance maintenance.

If particularly delicate objects are present, such as furniture, curtains or sofas, increase the stove clearances substantially.



If the stove is positioned on a flammable floor, we recommend you ensure it is suitably insulated.

Heat-sensitive or flammable objects and parts cannot be stored near the stove; keep such objects or parts at a minimum front clearance of 100 cm from the outermost point of the appliance.

2.3. CONNECTING THE COMBUSTION AIR INLET PIPE

The combustion air outlet does not necessarily have to be connected to the outside; only if you wish to use Oyster technology do you need to connect the combustion air inlet to the outside of the home.



Always use pipes and unions with appropriate seals that guarantee air- and watertightness.

Products built with Oyster technology, due to their fully watertight structure, do not draw on the oxygen inside the room. Instead, they draw air from the outside environment and can therefore be fitted in all well-insulated homes and in passive houses.

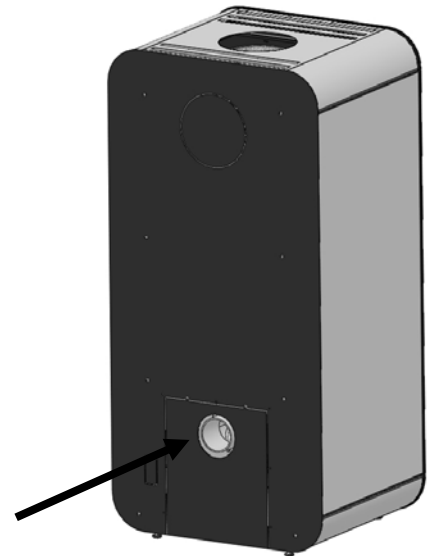
In order to satisfy these requirements, the 80 mm diameter connection pipe for the combustion air inlet **must** be connected to the outside of the building.

The air inlet should also:

- be designed with a grille, insect-proof metal mesh or suitable protection, provided it does not reduce the minimum cross-section.
- be positioned in such a way as to not be obstructed
- the maximum length permitted for ducting is 6 m, with two 90° elbows



The stove must be connected to the external air inlet using pipes and unions which guarantee watertightness to comply with the requirements of the sealed stove (OYSTER technology).



Rear view of the Kasai stove:
1) Combustion air inlet

2.4. EXTERNAL AIR INLET

It is necessary for the room in which the stove is installed to provide at least as much air as is required for regular combustion (not in the case of installation with Oyster technology). This can be achieved through permanent apertures made in the walls of the room to be ventilated onto the outside or rooms aired in accordance with UNI 10683 REV.

To this end, drill a through hole in the external wall near the stove with a minimum free cross-section of 150 cm². (15 cm diameter or 10x15 cm rectangular hole), protected by a grille on the inside and on the outside.

The air inlet should also:

- communicate directly with the installation setting
- be designed with a grille, insect-proof metal mesh or suitable protection, provided it does not reduce the minimum cross-section.
- be positioned in such a way as to not be obstructed

- in the case of ducting, up to 3.5 linear metres, increase the cross-section by about 5% whereas for longer ducter, increase it by 15%.



Remember that the ventilation grilles always feature an indication of the useful cross-section in cm^2 on one side. When choosing the grille and hole size, check that the useful cross-section of the grille is larger or the same as the cross-section required by MCZ for the appliance operation.



IMPORTANT!

The flow of air may also be taken from an adjoining room to the one in which the stove is installed, provided the air can flow freely through permanent apertures communicating with the outside; avoid air inlets connected to thermal power plants, garages, kitchens or bathrooms.

2.5. FLUE PIPE CONNECTION

The flue pipe connection is extremely important, and it should be performed carefully and attentively. Stoves have a top or rear smoke outlet.

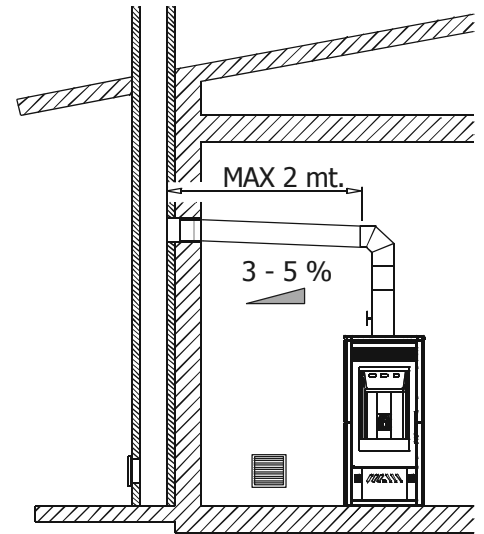
The smoke outlet pipe must be fitted in such a way as to guarantee its seal during the appliance's vacuum operation and avoid the formation and conveying towards the stove of any condensation.

Any manual draught control devices inserted in the pipe should not hermetically seal the internal section of the duct. These shutters should be equipped with a suitable mechanism to avoid the complete rotation of the valve in the closed position. The minimum safety opening surface must be 3% of the through cross-section, and not less than 10 cm². If the smoke duct has a horizontal section, the same should rise with a minimum slope gradient of 3-5% (3-5 cm for every metre).

The tilted horizontal part should not be longer than 2 linear metres.



The use of flexible pipes and fibre cement pipes is forbidden. The smoke pipe must not cross rooms in which it is forbidden to install combustion appliances. The use of counter-sloping pipes is forbidden.



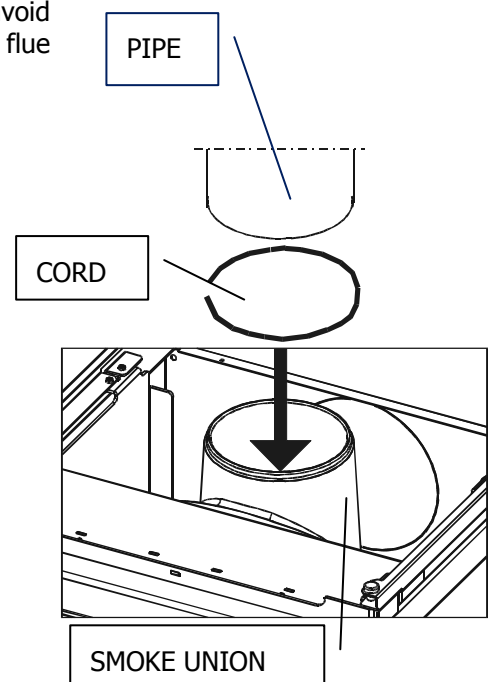
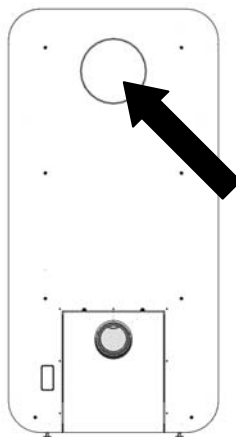
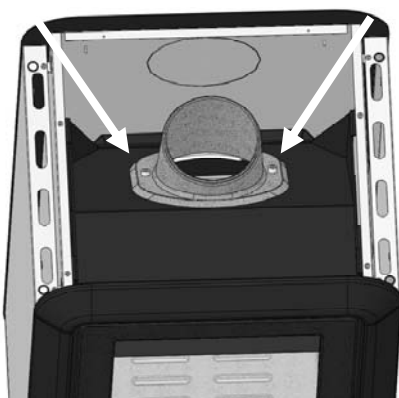
Flue pipe connection example

2.6. CONNECTING THE STOVE TO THE FLUE PIPE

The smoke outlet pipe is designed by MCZ for the outlet of smoke towards the top of the stove.

It is possible to bring the smoke outlet to the rear of the stove, by turning the outlet pipe by 180° and unscrewing the two screws and knocking out the pre-perforated panel at the rear of the stove.

In both cases, **it is compulsory** to take the cord supplied and join it, then insert it between the smoke union and the pipe, in order to avoid any smoke leakages, for instance in the case of a dirty or clogged flue pipe.



2.7. AIR HUMIDIFIER (accessory)

A vessel for correct air humidification is available for all models with rear outlet (optional). Fragrances and essences can also be added for a pleasant aromatherapy effect.

This tray is placed above the ceramic top, on top of the hole through which the vertical flue pipe passes.



Important:

The air humidifier gets very hot. Please therefore avoid coming into contact with it without wearing suitable protective clothing, such as heat protective gloves.

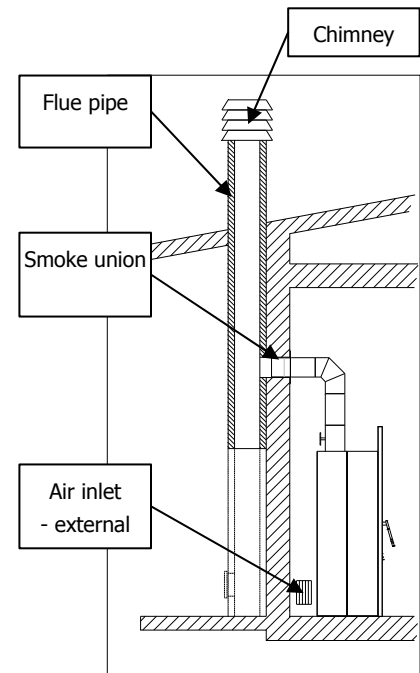
2.8. FLUE PIPE

The flue pipe is **vital** for the disposal of smoke and should therefore comply with the following requisites:

- Be waterproof and thermally insulated.
- Be made of suitable heat-proof materials, resistant to the effects of the combustion products and any possible condensation.
- Have a prevalently vertical arrangement with deviations from the axis of no more than 45° and without kinks.
- must be suitable for the specific operating conditions of the product and marked EC (EN1856-1, EN1443).
- must be suitably sized to accommodate the draught/smoke disposal requirements necessary for the correct functioning of the product (EN13384-1).
- Have an internal section which is preferably circular.
- If it is existing and has operated beforehand, it should be cleaned.

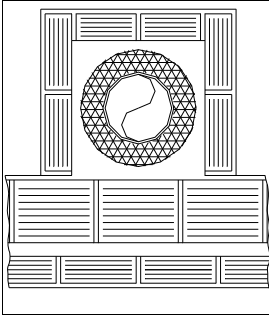


The flue pipe is vital for the correct functioning and safety of your stove.



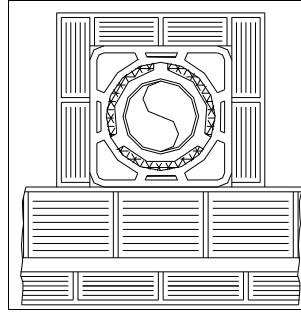
Typical diagram of a correctly laid flue pipe with, at the foot of the external rising section, the positioning of a chamber with a sealed hatch to collect and remove the solid materials produced during combustion.

2.8.1. Flue pipe examples



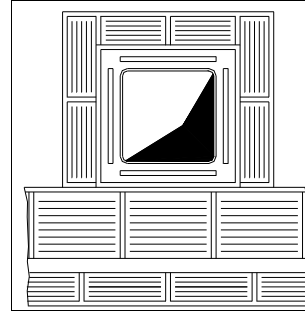
AISI 316 steel flue pipe with double chamber insulated with fibreglass or similar, resistant to 400 °C.

EXCELLENT



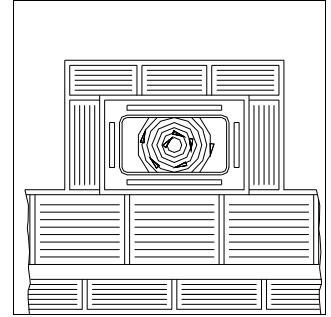
Refractory flue pipe with double insulated chamber and external concrete cladding lightened with honeycomb material such as clay.

GOOD



Traditional square-section clay flue pipe with empty insulating inserts.

MEDIOCRE



Avoid flue pipes with rectangular cross-sections where the larger side is twice the smaller one, such as 20x40 or 15x30.

POOR

For square- or rectangular-section flue pipes, the internal corners should be rounded with a radius of no less than 20 mm. For the rectangular cross-section, the ratio between the internal dimensions should be ≤ 1.5 .

The sections/lengths of the flue pipe shown in the technical data table are guidelines for correct installation. Any alternative configurations must be suitably sized in accordance with EN13384-1.

You are advised to fit a chamber to the smoke duct to collect solid materials located beneath the mouth of the smoke duct. This chamber should be easy to open and inspect from the airtight flap.



IMPORTANT!

If you have doubts about the performance of your flue pipe or if the dimensions of the latter differ from the recommended values, it is highly advisable to have an authorised MCZ fitter perform a prior survey and instrumental measurement of the performance of the flue pipe (measurement with micro pressure gauge)

MCZ s.p.a. will not be held liable for any stove malfunctioning if the same is ascribable to the use of a poorly sized flue pipe installed in a way that does not comply with the requisites listed herein.

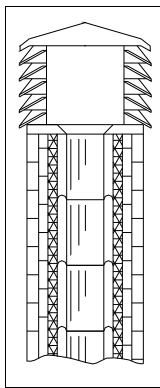
2.9. CHIMNEY

Often, if it is underestimated, it prevents the correct functioning of the "chimney system".

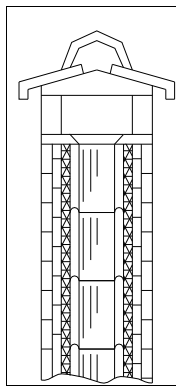
The draught of the flue pipe also depends on its chimney.

It is therefore vital that, if it has been hand-crafted, the development of the four relief sections correspond **to more than twice the internal cross-section of the flue pipe.**

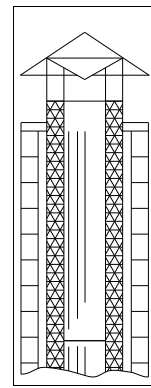
Since it should always be higher than the ridge of the roof, the chimney will be exposed to all weather, and so an industrial-type chimney is recommended.



Industrial chimney with prefabricated stacked elements. Allows excellent smoke disposal.



Traditional hand-crafted chimney. The correct outlet cross-section should be at least twice the internal cross-section of the flue pipe, ideally 2.5 times its size.



Steel flue pipe chimney with internal smoke-deflector cone. Allows excellent smoke disposal.

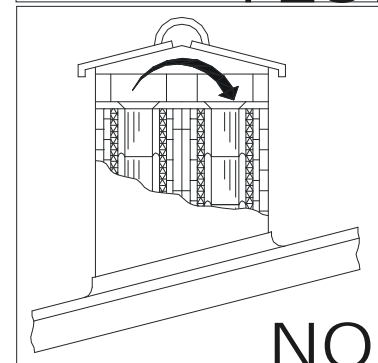
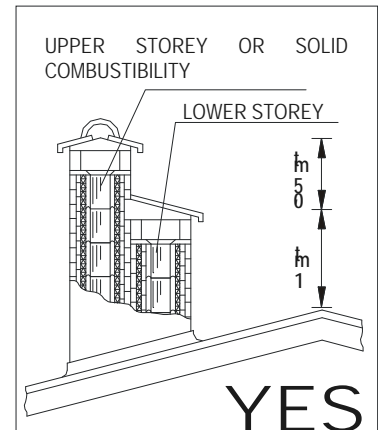
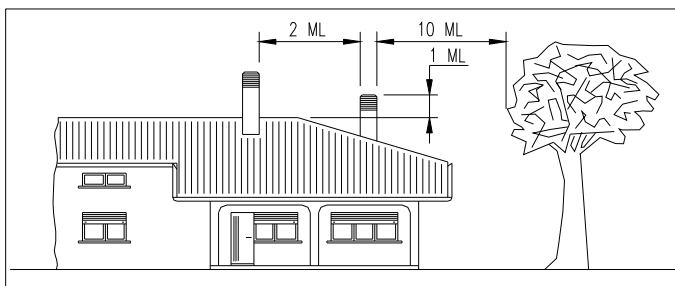
The chimney must:

- Have an inner section equal to that of the flue.
- Have a working outlet section of at least double that of the inner section of the flue pipe.
- Be built in such a way as to prevent rain, snow and any foreign bodies from penetrating the flue pipe.
- Be positioned so as to ensure adequate dispersion of smoke and, in all cases, outside the reflux area in which back-pressures are likely to form.



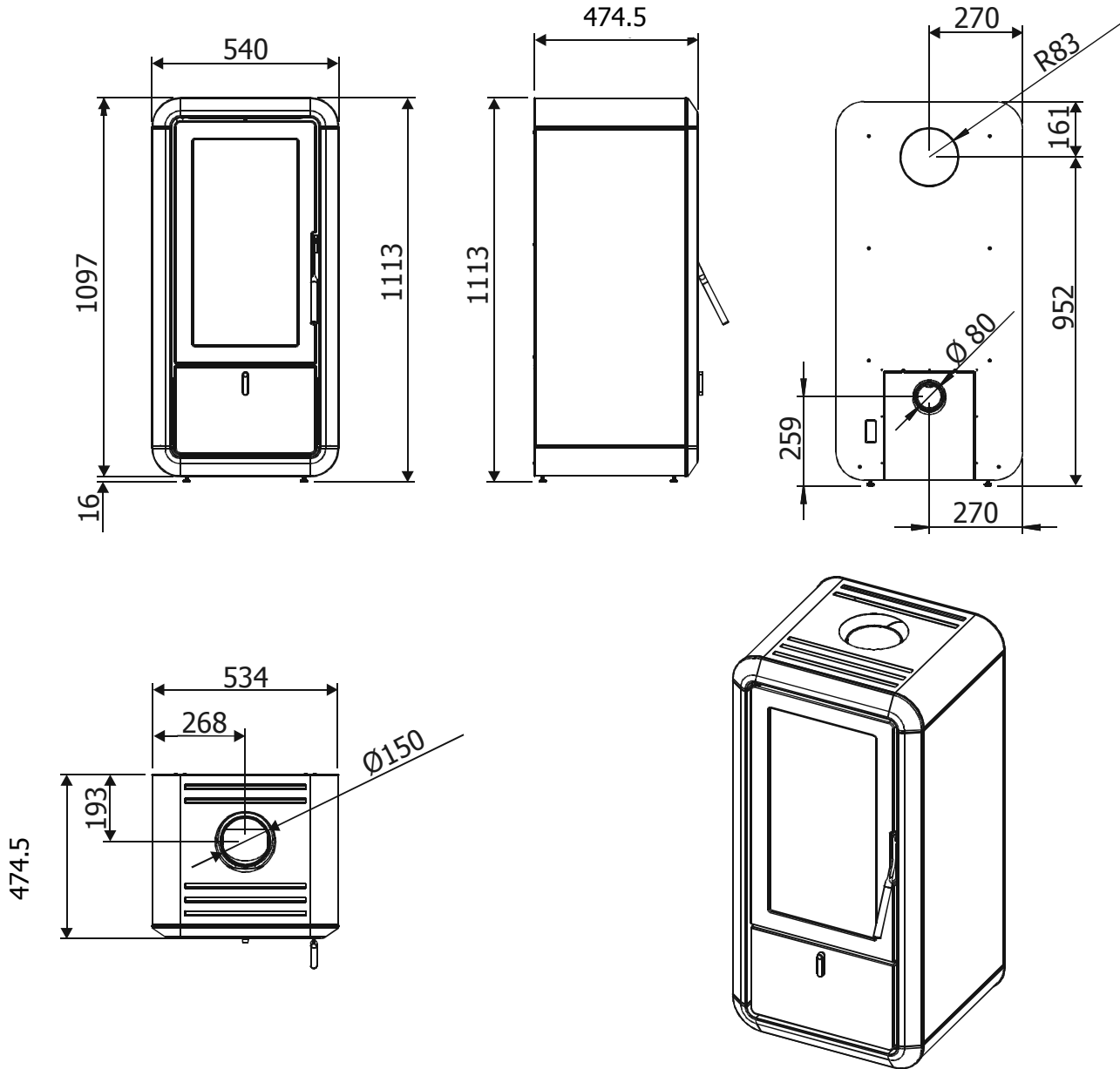
In the case of paired flue pipes, the solid combustibility or upper storey chimney shall be at least 50 cm higher than the others in order to avoid the transfer of pressure from one paired pipe to the other.

The chimney must not have any obstacles within a range of 10 metres, including walls, pitches and trees. If this is the case, then raise it at least 1 metre above the obstacle and in the event of other chimneys nearby, space them at least 2 metres apart and in all cases the chimney must protrude from the ridge of the roof by at least 1 metre.



3. DIMENSIONS AND TECHNICAL SPECIFICATIONS

3.1. KASAI STOVE



3.1.1. Technical specifications

Technical specifications	Kasai natural/air/comfort air
Fuel type	Wood - logs
Hourly consumption	2,3 kg/h – 1,2 kg/h
Global heat output Max	kW 9/Kcal 7740
Global heat output Min:	kW 4,5/Kcal 3440
Efficiency	78,2%
Heatable volume m ³	194/40 – 221/35 – 258/30 *
Recommended draught	12 Pa / 0,12 mbar
Smoke temperature	320 °C
Particulate	25 mg/Nm ³ (13% O ₂) 17 mg/MJ
Smoke outlet	Ø 15 cm
Combustion chamber dimensions	35x28xH46 cm
Net weight	150 kg
External combustion air inlet	200 cm ²
CO emission in the smoke (13% O ₂)	0,1%
Smoke flow rate	7,9 g/s
Flue pipe	
Flue pipe cross-section	18x18 cm Ø18
Minimum flue pipe height	4 m
Notes	
The stove is an intermittent combustion appliance * These data may vary according to the type of fuel used	

4. INSTALLATION AND ASSEMBLY



IMPORTANT!

The stove must be installed and connected to the flue pipe by a specialised technician or by competent staff so that all local or national regulations are complied with and in all cases in accordance with the provisions of standard UNI 10683 REV.

When you unwrap the stove and related frame, **make sure that every part is in perfect working order or check for any damage due to transport.** If the stove is installed in a difficult to access place, the weight can be lightened by removing the internal elements making up the combustion chamber. **We recommend you reposition each element correctly.**

4.1. PREPARATION AND UNPACKING

The Kasai stove is delivered with three different packagings:

- one contains the stove (fig.2)
- one contains the metal sides fig.3 pieces "6-7-8-9"
- one contains the metal top fig.4 pieces "1-2-3-4-5"

Open the package and remove the two brackets that secure the stove to the pallet (fig.1).

Remove the two screws (A) from the bracket at the bottom right and left of the stove.

Then remove the other three screws (B) securing the bracket to the pallet and position the stove in the chosen location, making sure it complies with the applicable provisions.

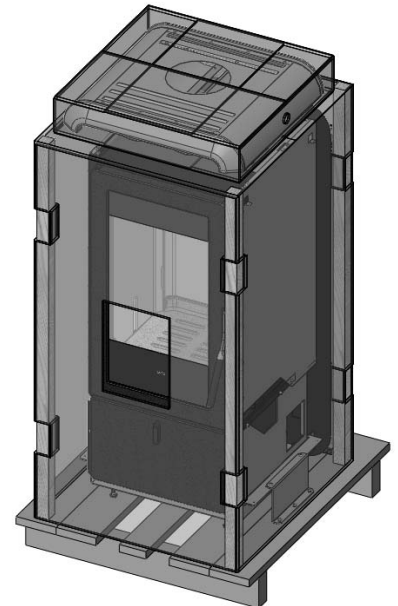


Figure 2 - Kasai stove packaging

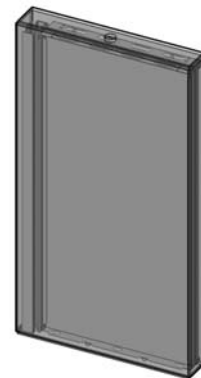


Figure 3 - Kasai stove sides packaging

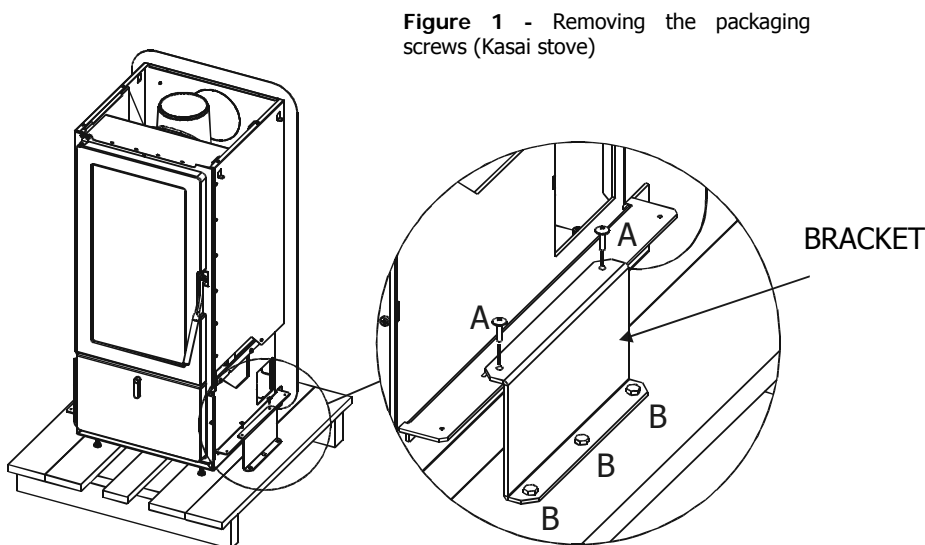


Figure 1 - Removing the packaging screws (Kasai stove)

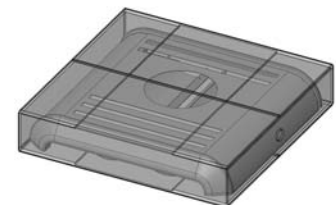


Figure 4 - Kasai stove ceramic packaging

The stove must always be handled very carefully in vertical position and only with trolleys. Pay special attention to the door and its glazing, to protect them from mechanical knocks which would compromise their good working order.

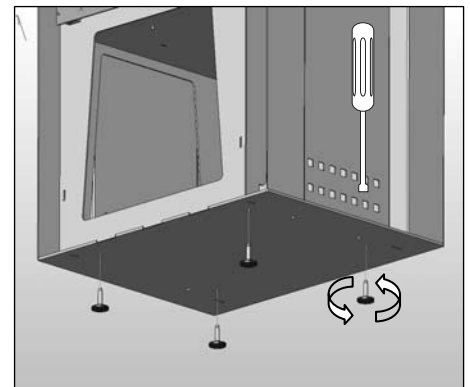
If possible, unwrap the stove near the chosen place of installation.

The materials making up the packaging are neither toxic nor harmful, and so require no particular disposal measures.

Storage, disposal or any recycling is under the responsibility of the end user in compliance with the applicable laws in force.

4.2. FOOT ASSEMBLY AND ADJUSTMENT

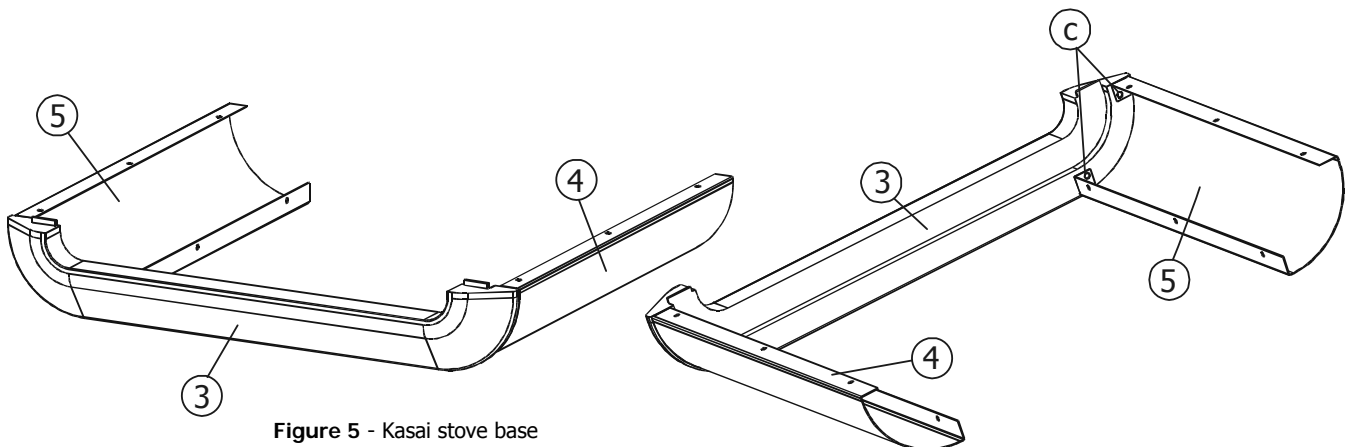
Some models envisage the assembly of support feet, designed to level the stove so that it is aligned and stable on the floor. The feet are screwed into the base of the structure, and they can be installed as illustrated in the figure and adjusted with a screwdriver, inserting it into the tip of the feet.



4.3. SIDE CLADDING ASSEMBLY

The installation of the metal sides does not present any particular difficulties.

1. Take the central piece "3" and a side piece ("4" or "5") out of the packaging and, using the two trilobe screws "c", screw it onto piece "3" to achieve the piece as shown in figure 5. Repeat the operation on the other side part.



To facilitate threading, it is advisable to carry out the threading first without metal sheet to avoid any impediments.

2. Take the base, consisting of pieces "3-4-5" and secure it to the stove using the screws "d" to the left and right of the stove figure 6.

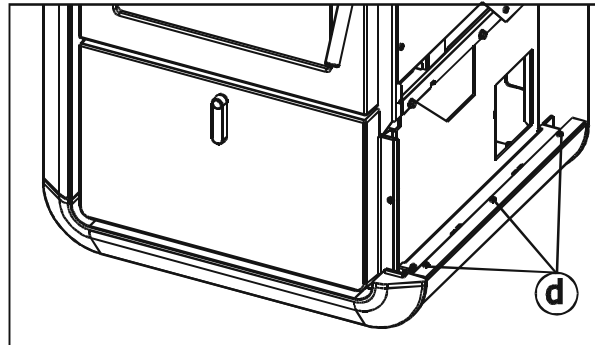
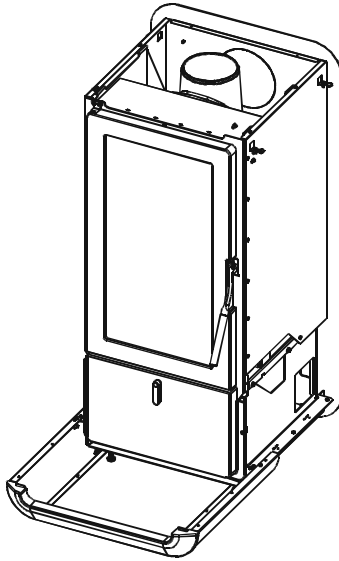


Figure 6 – Fastening the base (Kasai stove)

3. Take the profiles ("8 and 9") and secure them to the sides ("6 and 7") using two self-tapping screws in position "e" (one above and the other below) figure 7.

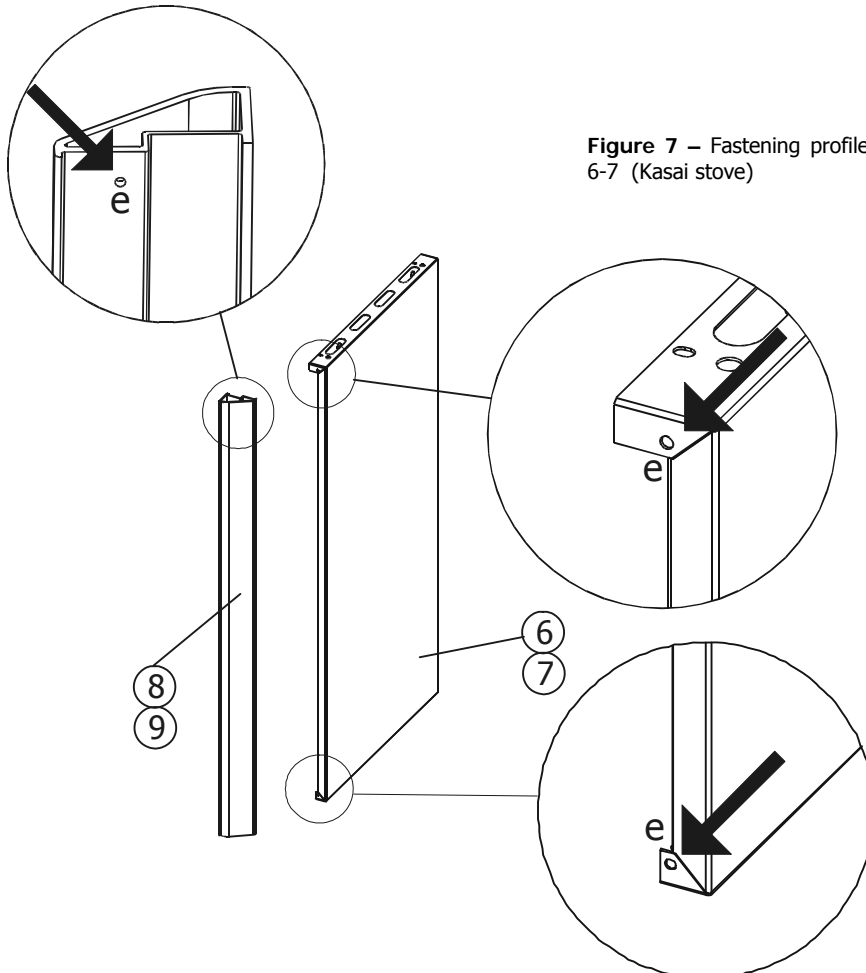


Figure 7 – Fastening profiles 8-9 to side 6-7 (Kasai stove)

- The metal sides ("6-7") with the profiles ("8-9") assembled previously should be secured to the structure of the stove, inserting the purpose-provided pins "B" featured in the lower part of the side in holes "b" featured in the stove.

Subsequently, on the upper part of the side, secure the two screws "A" (one to the left and the other to the right) to the edges of the structure where the holes are featured.

Repeat the same procedure for the other side (fig.8).

Insert the spacers (rubber pad "U" + washer "V") into the holes at the top of the sides for the top to rest on.

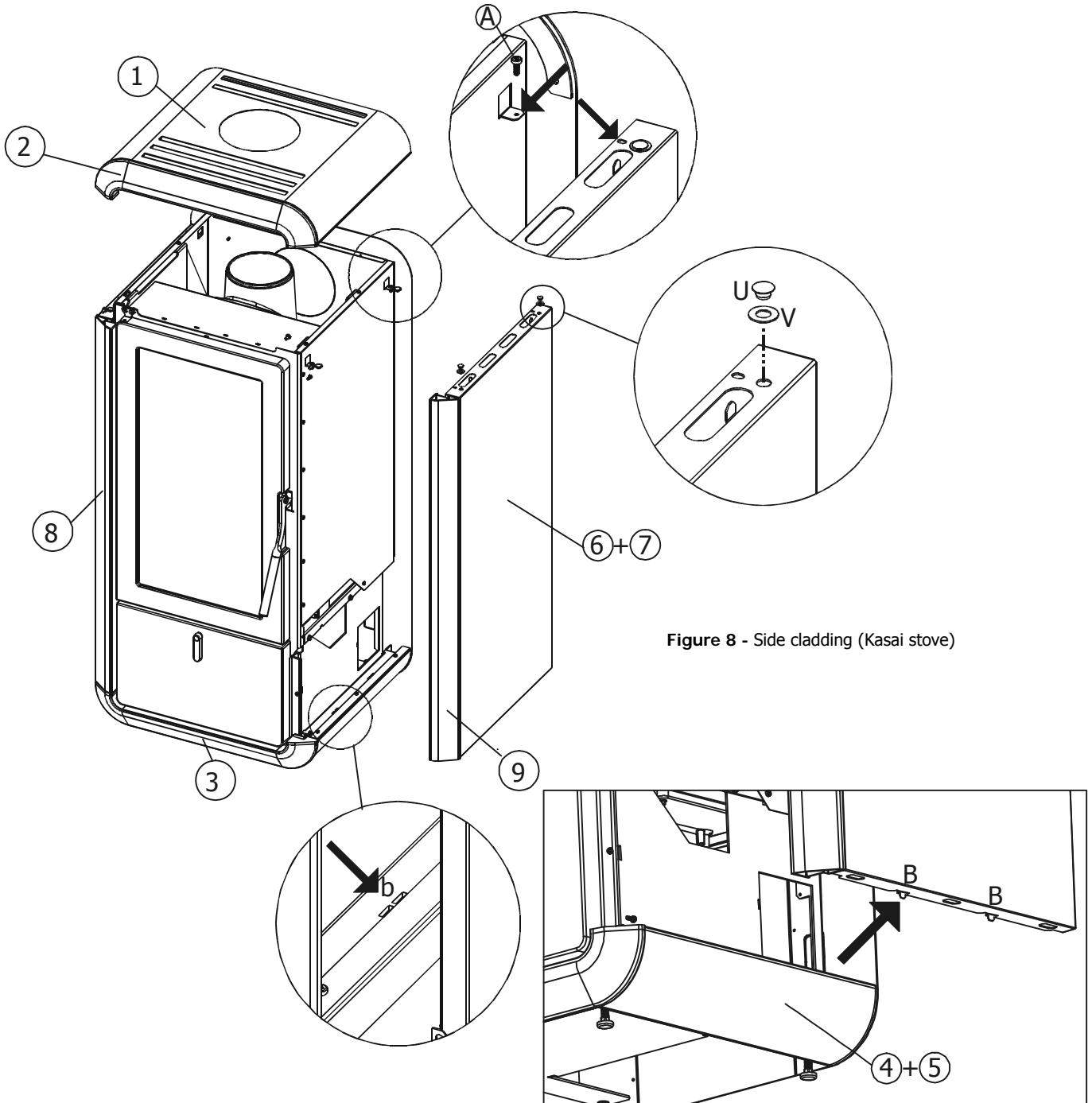


Figure 8 - Side cladding (Kasai stove)

5. Fix part "2" to the top "1" using four trilobe screws, figure 9.

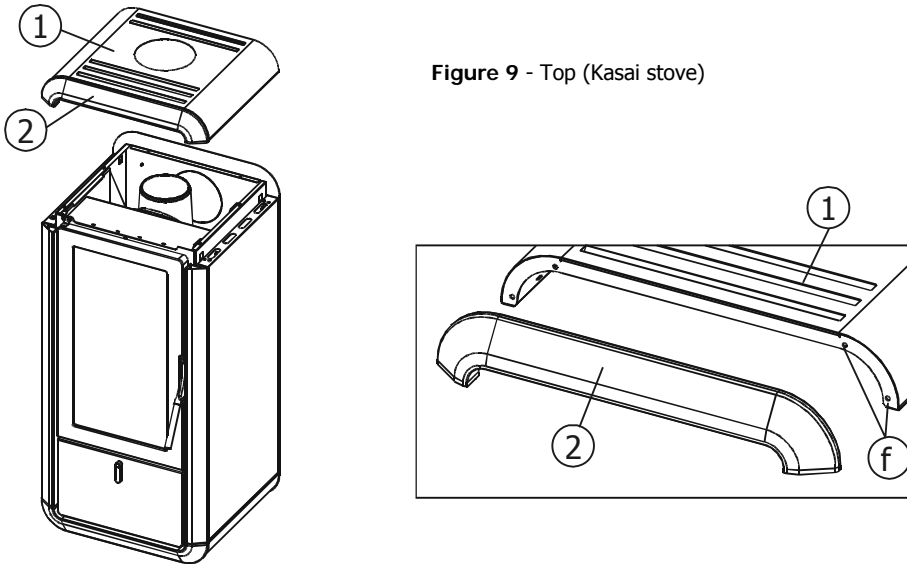


Figure 9 - Top (Kasai stove)

6. Rest the metal top on top of the sides, making sure the pins "s" of the sides correspond with the holes "h" in the top.

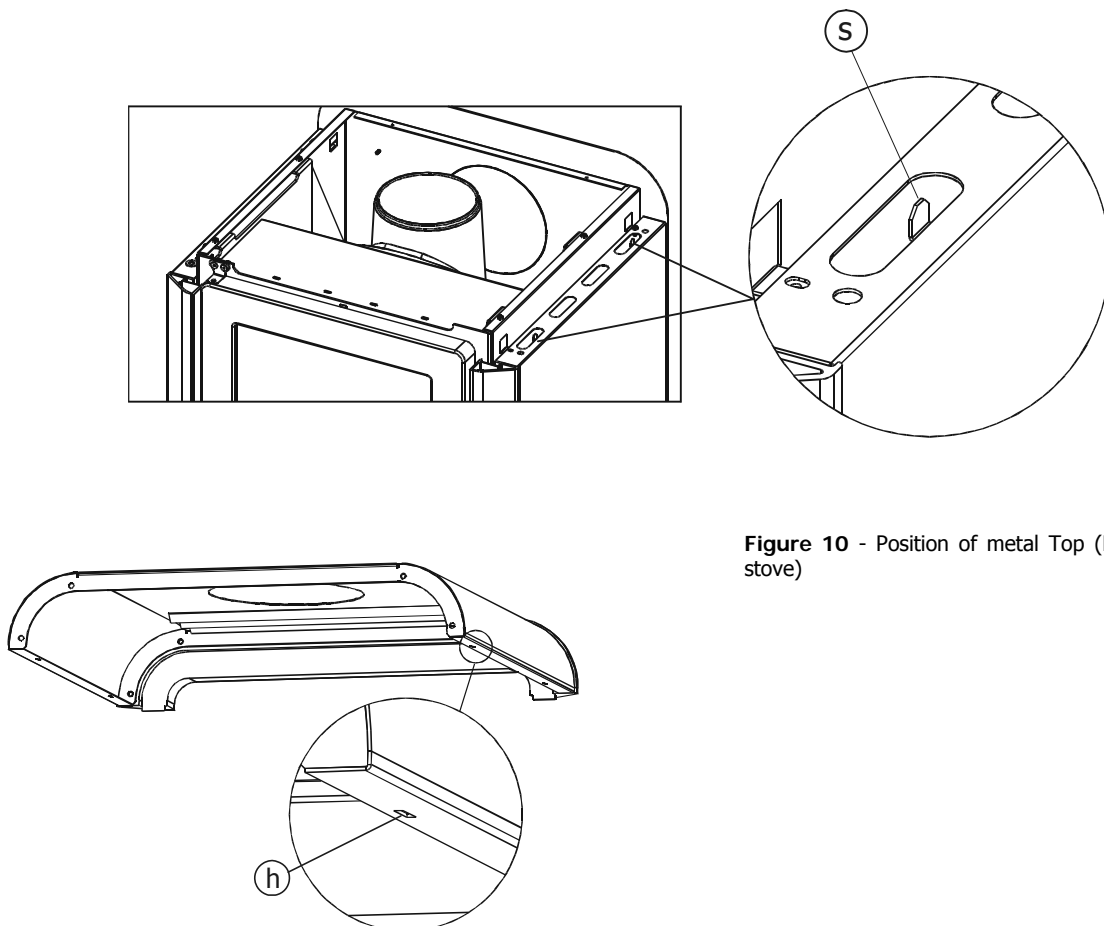


Figure 10 - Position of metal Top (Kasai stove)

5. OPERATION

5.1. WARNINGS PRIOR TO START-UP

Make sure you have read and fully understood the contents of this instruction manual.

Remove all components which could burn from the stove and door (instructions and various adhesive labels).

Remove the stickers from the glass ceramic otherwise the high temperature could melt them and cause irreparable damage to the glass. If this is the case, MCZ will not guarantee the glass.

The stove can be positioned either in a corner or up against a wall.



Avoid touching the stove during the initial start-up, since the paint completes its drying process during this time and hardens.

It is good practice to guarantee the efficient ventilation in the room during the initial start-up, since the stove will release some smoke and paint smells, which is completely normal!

If necessary, touch up the paint with the spray can of the dedicated colour. (see "Stove accessories")

Do not stand close to the stove and as mentioned, air the room. The smoke and paint smell will disappear after about an hour of operation, but remember that they are not in any case harmful.



The stove will undergo expansion and contraction during the start-up and cooling phases, so it may squeak slightly.

This is completely normal, since the structure is made of laminated steel and should therefore not be considered a defect.



It is extremely important to make sure you do not immediately overheat the stove, but instead raise the temperature gradually.

This will avoid any damage to the welding and to the steel structure.

Do not try to achieve the maximum heating efficiency immediately!

5.2. FUEL

FUEL: Wood

In order to get the best efficiency from your stove, it is of vital importance that you use **wood** with appropriate characteristics.

Heating wood can be used, such as **oak-beech-ash-robinia** or non-resinated pressed logs. **The latter have a high calorific value and**

must be used with caution to avoid harmful overheating of the stove

Fuels such as poplar-pine-linden-chestnut have a low calorific value as the wood is soft, i.e. tender, and does not last long. The humidity content is fundamental for all types of wood.



A high percentage humidity causes condensation to form in the smoke duct, causing an alteration to the draught and generating smoke and considerable soot deposits in the combustion chamber, on the door glazing and on the flue pipe, with the subsequent possible fire hazard in the same; in addition, it leads to a much lower global efficiency.

The use of humid or treated wood releases a larger than normal quantity of smoke, which could soil the glass more quickly. The poor performance of the flue pipe can also compromise the cleanliness of the glass, considering that the smoke remains in the combustion chamber longer than usual.



Do not use treated fuels (painted or lacquered wood) or non-compliant fuels (plastic or derivatives) which could release toxic substances or pollutants.

Do not burn waste.

The gases produced by combustion resulting from the use of unsuitable fuel could damage the stove, the flue pipe, pollute and compromise your health.

Wood drying time (e.g. beech)	% humidity	Calorific value Kcal/h
Freshly cut	50	/
3 Months	40	2410
6 Months	35	2700
9 Months	30	2900
12 Months	25	3150
15 Months	20	3400
18 Months	15	3710
21 Months	10	3980

5.3. USING THE STOVE

5.3.1. FUEL LOADING

To load the fuel, simply open the door by lifting the handle and pulling the door towards you.

During use, the metal parts and the glazing reach very high temperatures, so it is necessary to use a heat protective glove (not included).

During combustion, the door to the combustion chamber must remain closed.



It is forbidden to load larger quantities of fuel than those specified in the technical datasheets of each individual product.

Excessive quantities of fuel introduced into the combustion chamber could damage and warp the combustion chamber and the structure of the stove.

MCZ will not be held liable for any damage caused by fuel overloads or by the use of fuels which do not comply with the specifications.

5.3.2. COMBUSTION CONTROL

The combustion and therefore the combustion air inlet is controlled via a single control lever.

The inlet air is either:

PRIMARY AIR:

Primary air is introduced at the base of the flame to encourage mostly the stove start-up operation

SECONDARY AIR:

The introduction of secondary air is predetermined, and is used for the partial cleaning of the glass and allows the completion of the combustion process. Consequently, if it is well calibrated, the efficiency and heating performance of the stove are higher.

5.3.2.1. KASAI stove air control

Turn the control lever anti-clockwise if you want more combustion air to enter the combustion chamber. Vice-versa, turn the lever clockwise if you want less air to enter.

The primary and secondary air inlet is predetermined; move the lever to dose the quantity of primary and secondary inlet air.

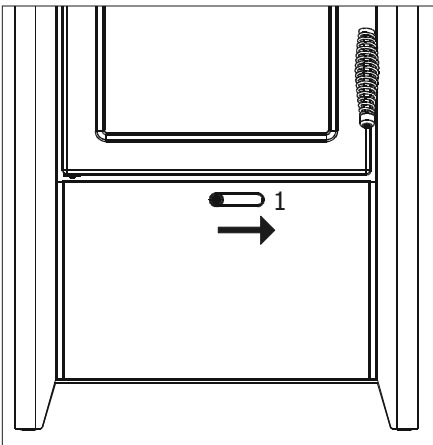


Fig.11 Primary air inlet
Start-up

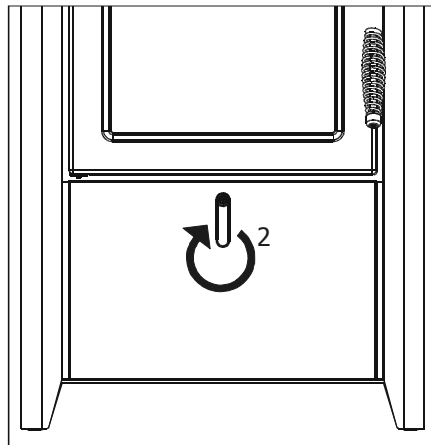


Fig.12 Secondary air inlet

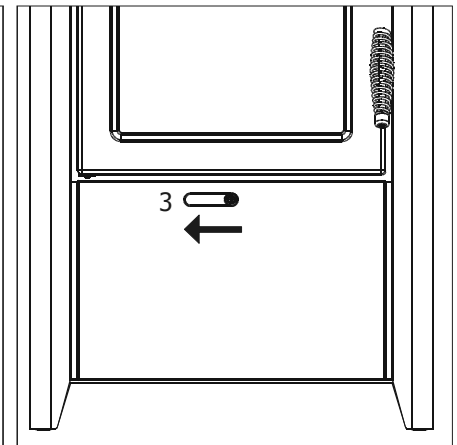


Fig.13 Minimum primary air inlet

PRIMARY AIR LEVER (TURNED TOWARDS THE RIGHT)

The lever turned towards the right (pos.1) is designed to bring a large quantity of primary air beneath the combustion chamber fire plane, to allow rapid and effective ignition of the fire (fig.11).

SECONDARY AIR LEVER (TURNED DOWN)

Secondary air, as mentioned above, allows the completion of combustion and increases the efficiency (lever in pos.2 - fig.12).

The position of the lever in fig.12 determines the nominal output, minimizing primary air and the secondary air inlet.

LEVER TURNED TOWARDS THE LEFT

From this point, turn the lever clockwise to decrease the quantity of air in the combustion chamber until position 3 is reached, where only a minimum quantity of primary air is present (fig.13).

This position is used to prolong combustion (for instance, at night, or when you are not at home) so that the stove is set to minimum for auto-combustion, to save on fuel and keep the flame burning.

5.3.3. FIRST START-UP

We recommend that the first start-up be performed with caution, using fine and seasoned wood.

The combustion air inlet must be completely open.

When combustion has started up, normal sized wood can be introduced.

The flame must be as laminar as possible.

During the various reloading processes, the fire door must be opened slowly to avoid smoke being released into the room.

Proceed as follows:

- Place a small ball of scrunched up paper into the stove.
- Cover the paper with a small quantity of twigs and a few pieces of wood.
- Open the combustion air damper completely (right-hand lever).
- Light the paper and if necessary keep the door open a few minutes until the combustion chamber and the flue pipe begin to warm up.
- Once the twigs have caught alight, you can shut the door.

As the fire gradually burns, add wood. In all cases, never overload the stove with wood (see the technical data in the table).

As soon as the flames have died down and a bed of embers has formed, load the stove normally.

Small loads are preferable to large loads of wood for combustion.

We recommend you implement this fuel loading method, also in all subsequent appliance use.



To achieve the nominal heat output, introduce the wood load indicated in the technical data table into the combustion chamber (*chapter 3*). The stove's running time is approximately 45 minutes. On completion of combustion, reload the stove again.



Caution!

- Do not use volatile and/or flammable substances (petrol-alcohol-etc.) to ignite the fire.
- Do not use fuels that could release toxic substances or pollutants.
- Do not put the fire out by throwing water on it.
- Check the external-internal air inlet and the flue pipe at least once a year, cleaning them thoroughly.
- During use, the metal parts and the glazing reach very high temperatures. Use suitable protections when reloading or adjusting the appliance or removing ash.
- Never leave children unsupervised near the stove when it is operating.
- There is a very high risk of scalding due to contact with hot parts.
- In the event of poor weather conditions for the operation of the stove (low pressure, external temperatures not particularly harsh, windy day), this may lead to inverse draught in the flue pipe. If this is the case, we recommend you use a small quantity of paper to heat the flue pipe and restore normal draught. Then proceed with normal stove start-up.

5.4. AIR DIFFUSION SYSTEMS

Heat is transmitted to the rooms in the following system:

1. Natural (standard)
2. Air (optional kit)
3. Comfort Air (optional kit)

5.4.1. Natural

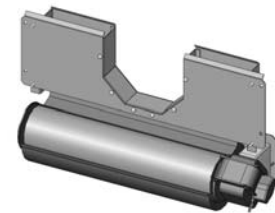
The heat is transmitted in the room via natural convection.

The hot air that forms inside the stove is diffused uniformly and naturally in the room.

5.4.2. Air (optional kit)

Heat is released through forced ventilation. Thanks to an optional kit to be installed on the stove, the room can be heated up quickly and more efficiently.

For further details, we recommend you read the instructions contained in the kit.



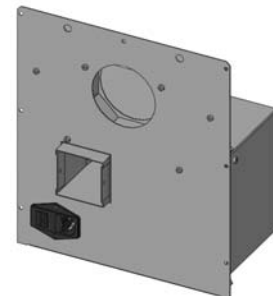
Air kit (accessory)

5.4.3. Comfort Air (optional kit)

The exclusive patented Comfort Air system conveys the warm air to other rooms, even not communicating, to create a proper heating system.

This system is possible through the installation of an optional kit.

For further details, we recommend you read the instructions contained in the kit.



Comfort Air kit (accessory)

6. MAINTENANCE AND CLEANING



CAUTION!

All the cleaning operations of all parts should be performed with the stove completely cold.

6.1. CLEANING UNDER THE USER'S RESPONSIBILITY

6.1.1. Cleaning the glazing

To clean the glazing, you may use specific products (see our price list), a cloth dipped in water and ammonia solution or a little white ash and a sheet of newspaper. Any soot build-up and dirt will prolong the glazing cleaning time.



CAUTION!

Do not spray the cleaner onto the painted parts or onto the seals of the door (ceramic fibre cord)



The glass ceramic installed on MCZ products have a heat resistance of approximately 750 °C and are tested and checked prior to and after assembly to check for any cracks, bubbles and swelling.

Despite the high resistance to temperatures, the glazing is nonetheless a fragile element and so it is advisable to handle the door carefully without slamming it or forcing it open or shut. Since it is not a flexible element, the glazing may break.

In addition, this type of glazing does not shatter or burst and should it break, for the above reasons, only a crack will form.

6.1.2. Cleaning the upper Calorite deflectors

They require no special care. After prolonged usage, the efficient yet porous material used to make the internal deflectors of the combustion chamber wears and may get damaged. They will need to be replaced only when their thickness is halved or they break.

6.1.3. Ash removal

This task must be performed with the stove turned off; we recommend you clean the ash tray thoroughly to ensure correct combustion.

Open the door and remove the ash tray as shown in figure 14.

Hot ashes must not be stored outside unsupervised or thrown into the rubbish bin. Allow it to cool in the open air in a metal container.

6.1.4. Cleaning stainless and matt steel surfaces

Usually these surfaces do not need any special treatment and avoiding cleaning them with abrasive materials is sufficient. For stainless and matt steel surfaces, we recommend you clean these with a paper towel or a dry, clean cloth dipped in detergent made with non ionic surfactants (<5%); spray glass and mirror cleaner is recommended.

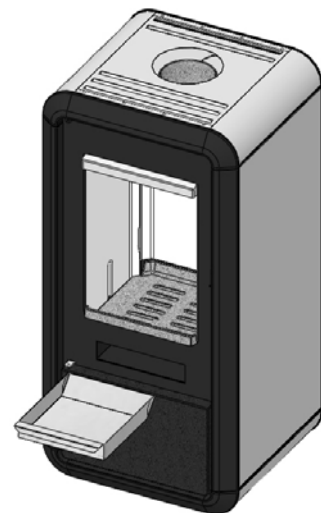


Figure 14 - Ash tray

6.1.5. Cleaning painted parts

Avoid cleaning the painted parts when the product is in operation or hot, with damp cloths to avoid the thermal shock of the paint and its consequent detachment. Do not use abrasive or aggressive materials or products.

Clean with a paper towel or damp cotton.



The silicone paints used to coat MCZ products have top quality technical properties which ensure the resistance to very high temperatures.

There is however a physical limit (380°-400°) beyond which the paint loses its characteristics and begins to "whiten" or (above 450°) "vitrifies" and can flake and peel away from the steel surface. If this occurs, it means that temperatures well above those at which the appliance should operate correctly have been reached and consequently we recommend the use of the quantity of fuel specified in the technical tables.

6.1.6. Cleaning the flue pipe

We recommend the mechanical cleaning of the flue pipe at least once a year; excess build-up of unburned waste could cause problems with the smoke discharge and start a fire in the flue pipe itself.

6.2. CLEANING UNDER THE RESPONSIBILITY OF SPECIALISED STAFF



CAUTION:

The frequency with which the stove is to be cleaned should be determined according to its use and the type of installation.

MCZ recommends you contact an authorised service centre for the maintenance and cleaning of the entire flue pipe system at the end of the season because in addition to performing the above-mentioned operations, a general check of the appliance will also be performed.

6.3. QUICK RESPONSE

If for any reason it is necessary to put out the fire in the stove suddenly and quickly or put out a fire that has started in the flue pipe, respond as follows:

- If you have time, remove the embers and ash using a metal container.
- Request urgent assistance from the competent authorities.



MCZ GROUP S.p.A.

Via La Croce 8

33074 Vigonovo di Fontanafredda (PN) – ITALY

Telephone: +39 0434/599599 PBX

Fax: +39 0434/599598

Internet: www.mcz.it

e-mail: mcz@mcz.it